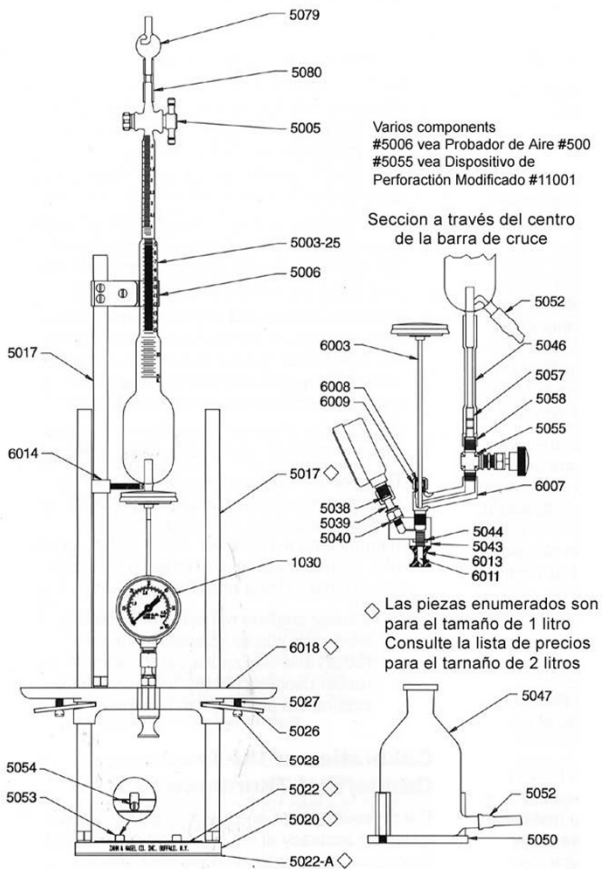


# Series 7000

## Zahm New Style Air Tester w/Dial Thermometer



This instrument is used to test beverage or product for CO<sub>2</sub> gas and air content in either glass or PET containers and cans. It is automatically adjustable to various size bottles and cans and is available in either one or two litre sizes. Two standard pressure/temperature relationship charts are furnished with the instrument for the determination of volumes of CO<sub>2</sub> gas in alcoholic and non-alcoholic beverages. The instrument is equipped with a dual scale pressure gauge (0-60 psi and & 0-4.2 kg/cm<sup>2</sup>) and an adjustable 2" dual scale dial thermometer (25.125°F & -5/55°C). This piercing device is also equipped with a

7001	Zahm New Style Air Tester W/Dial Thermometer Complete Instrument - 1 Litre	5026	Lock Plate (2 Req'd)
7002	Zahm New Style Air Tester W/Dial Thermometer Complete Instrument - 2 Litre	5027	Lock Spring (2 Req'd)
6003	Dial Thermometer 2" Dual Scale (25/125 F. & -5/55 C.) 8" Long Stem-Adjustable	5038	Gauge Gasket
6007	Dial Thermometer Adapter	5028	Lock Screw (2 Req'd)
6008	Adapter "O" Ring	5038	Gauge Gasket
6009	Adapter Nut	5039	Gauge Adapter
6011	Piercing Needle .703 OAL of Piercing Point	5040	Adapter Gasket
6013	Rubber Seal	5043	Packing Nut
6014	Stop Pin Collar W/Pin	5044	Nut Gasket
6018	Cross Bar - 1 Litre Size	5046	Rubber Coupling
5003-25	Burette W/Teflon Stopcock (0-25ml) 0-100ml Capacity	5047	Level Bottle
5005	Replacment Stopcock for Burette	5050	Level Bottle Stand
5006	Burette Clamp Complete	5052	Connection Tubing
5017	Guide Rod (2 Req'd)	5053	Can Stop (2 Req'd)
5017	Guide Rod / Support Rod for Burette(1 Req'd)	5054	Can Stop Screw (2 Req'd)
5020	Base 1 - Litre Size	5055	Whitey Valve
5022	Base Pad (Top) 1 Litre Size	5057	Hose Nipple
5022-A	Base Pad (Bottom) 1 Litre Size	5058	Nipple Nut
		5079	Caustic Trap
		5080	Plastic Coupling
		1030	Pressure Gauge (0-60psi & 0-4.2kg/cm <sup>2</sup> ) 1/8 Npt Lower Male Connection

**For more information, please contact :**

**BQSL Japan Co., Ltd.**

5-11-8-102 Okada, Atsugi-shi, Kanagawa, 243-0021 JAPAN

Tel / Fax: +81-46-230-0417

e-mail: mail@bqsl.co.jp

<http://www.bqsl.co.jp>