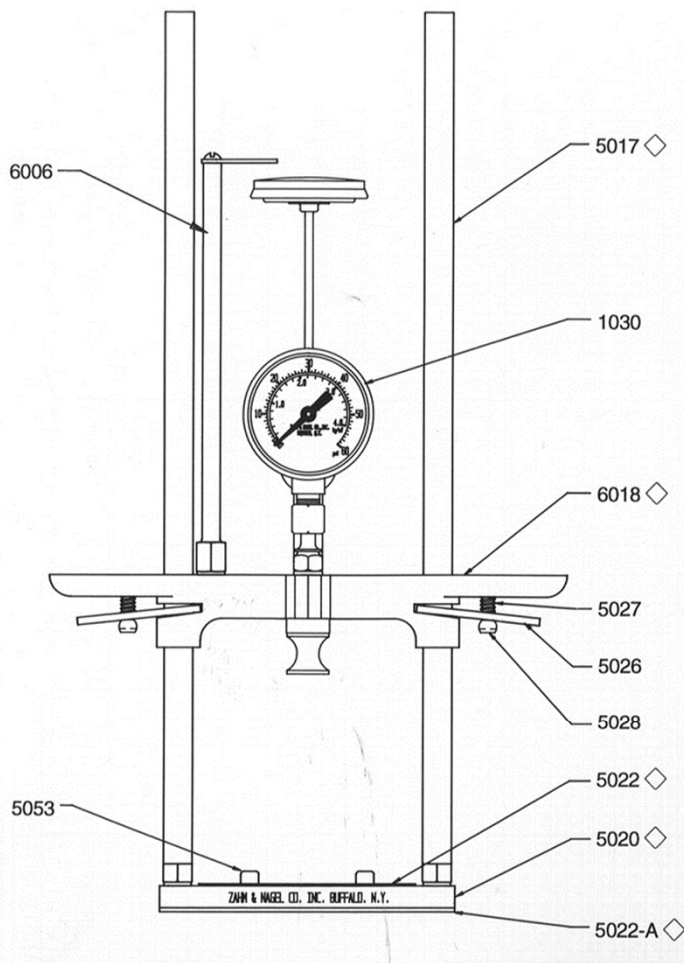
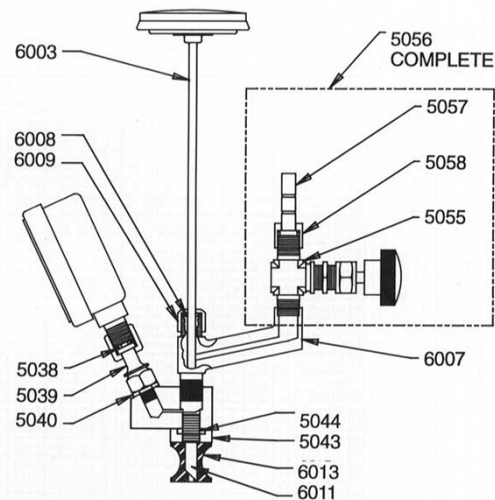


# Series 6000 Zahm Model D.T. Piercing Device



◇ Las piezas enumerados son para el tamaño de 1 litro  
Consulte la lista de precios para el tamaño de 2 litros



The Zahm Model D.T. Piercing Device is used to test carbonated beverages for volumes of CO<sub>2</sub> gas in glass/PET bottles and cans. This instrument uses a dual scale pressure gauge (0-60 psi & 0-4.2kg/cm<sup>2</sup>) and an adjustable 2" dial thermometer (25/125°F & -5/55°C). It is available in one and two litre sizes. The Series 6000 Piercing Device will provide rapid and accurate determination of gas volumes in alcoholic and non-alcoholic beverages when used with the two pressure/temperature charts furnished with the instrument.

6001	CO <sub>2</sub> Tester Complete W/#6003 Dial Thermometer & #1030 Pressure Gauge	5026	Lock Plate (2 Req'd)
6003	Dial Thermometer 2" Dial, Dual Scale (25/125 F -5/55 C.) 8" Long Stem, Adjustable	5027	Lock Spring (2 Req'd)
6006	Dial Thermometer Stop	5028	Lock Screw (2 Req'd)
6007	Dial Thermometer Adapter	5038	Gasket
6008	Adapter "O" Ring	5039	Gasket Adapter
6009	Adapter Nut	5040	Gauge Gasket
6011	Piercing Needle .703 OAL of Piercing Point	5043	Packing Nut
6013	Rubber Seal	5044	Nut Gasket
6018	Cross Bar For 1 Litre Size	5053	Can Stop (2 Req'd)
5017	Guide Rod	5055	Whitey Valve
5020	Base 1 Litre Size	5056	Whitey Valve Complete with #5057 and #5058
5022	Base Pad (Top) For 1 Litre Base	5057	Hose Nipple
5022-A	Base Pad (Bottom) For 1 Litre Base	5058	Nipple Nut
		1030	Pressure gauge, 2" dia. (Dual scale 0-60psi & 0-4.2kg/cm <sup>2</sup> ) 1/8 NPT lower male connection.

**For more information, please contact :**

**BQSL Japan Co., Ltd.**

5-11-8-102 Okada, Atsugi-shi, Kanagawa, 243-0021 JAPAN

Tel / Fax: +81-46-230-0417

e-mail: mail@bqsl.co.jp

<http://www.bqsl.co.jp>