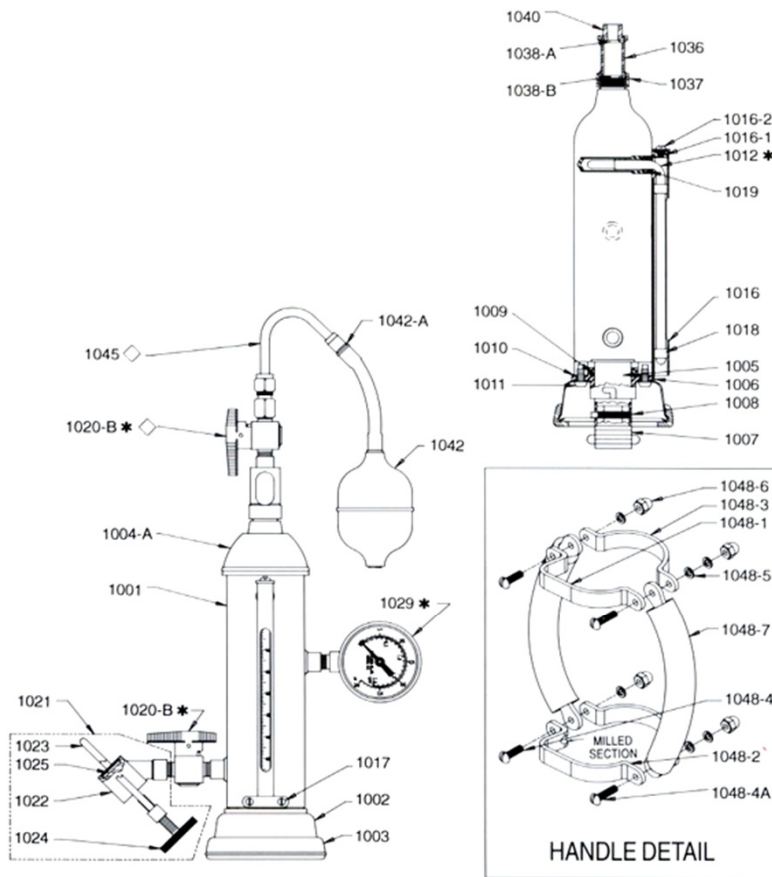


# Series 1000 ZAHM SS-60 VOLUME METER



The Zahm SS-60 Volume Meter was developed to determine average CO<sub>2</sub> levels of gas in tank stored beverages. Its improved design over the older Zahm-Hartung Volume Meter (Series 2000) greatly improves accuracy and time required to run a test. A precise piston release mechanism eliminates bleeding off of the sample and the potential for human error. Samples undergo repeatable, precise volumetric expansion test after test for more accurate measurements. The lightweight design reduces operator fatigue while the stainless steel construction increases strength and resists corrosion. The thermometer may also be replaced in the field without the need to return it to the factory for replacement. The parts list and line drawing should be used when ordering replacement parts or operating the instrument.

1000	SS-60 Volume Meter	1024	Clamping Device Screw
1001	Body	1025	Clamping Device Gasket
1002	Base	1029	Pressure Gauge
1003	Base Shield	1036	Sight Glass
1004-A	Neck Shield	1037	Sight Glass Cage
1005	Piston	1038-A	Sight Glas Gasket (Top)
1006	Piston Body	1038-B	Sight Glass Gasket (Bottom)
1007	Piston Handle	1040	Vent Cock Swivel
1008	Piston Lock Pin	1042	Aspirator Bulb
1009	Piston "O" Ring	1042-A	Aspirator Bulb "O" Ring
1010	Piston Body Gasket	1045	Gooseneck
1011	Base Screw (6 ea.)	1048	Clamp Handle Assembly
1012	Thermometer	1048-1	Front Brace
1016	Thermometer Guard	1048-2	Milled Brace
1017	Thermometer Guard Screw (2 ea.)	1048-3	Rear Brace (2 ea.)
1018	Thermometer Cushion Ring (2 ea.)	1048-4	Screw - Left Side (2 ea.)
1019	Thermometer Seal Ring (2 ea.)	1048-4A	Screw - Right Side (2 ea.)
1020-B	Valve (2 ea.)	1048-5	Lock Washer (6 ea.)
1021	Clamping Device Assembly	1048-6	Cap Nut (4 ea.)
1022	Clamping Device Body	1048-7	Handle w/Rubber Sleeve (2 ea.)
1023	Clamping Device Yoke		

**For more information, please contact :**

**BQSL Japan Co., Ltd.**

5-11-8-102 Okada, Atsugi-shi, Kanagawa, 243-0021 JAPAN

Tel / Fax: +81-46-230-0417

e-mail: mail@bqsl.co.jp

<http://www.bqsl.co.jp>