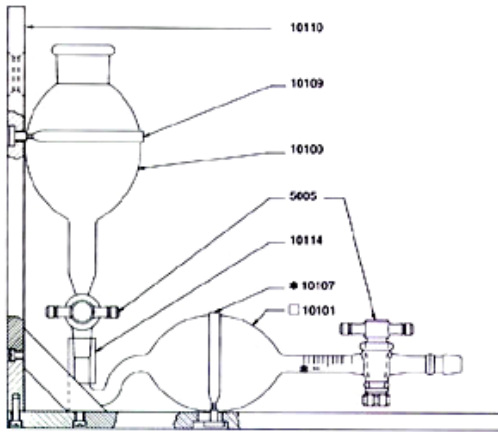
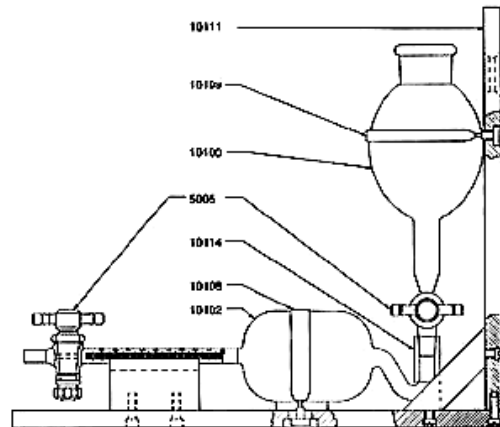


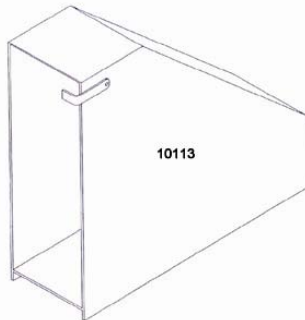
Series 1 0000 Zahm CO2 Gas Purity Tester



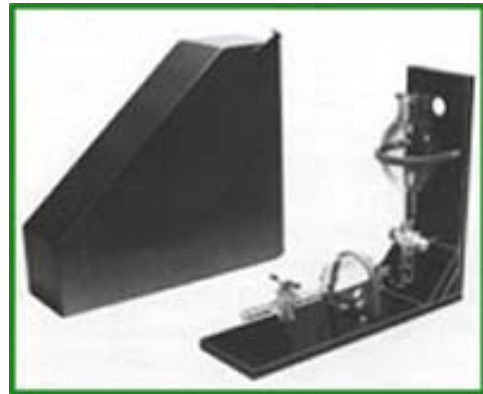
P.N. 10001 Standard
99 to 100% in 0.1% increments.



P.N. 10003 tester with platinum wire
inserts 99 to 100% in 0.01% increments



Zahm CO₂纯度测试仪,其独特的模仿公鸡型设计极善于样品的采集,软管连接,可避免样品采集过程中由于操作困难而导致的尴尬情况.同时避免采样时由于溢漏而造成的不良腐蚀性伤害.它构造简单,操作简易,干净,测量数据高度准确。



10001	Standard Tester W/Stand, Bands, Reservoir & Burette (99 to 100% In 0.1% increments)	10003	Tester W/Stand, Bands, Reservoir & Burette (99 to 100% In 0.01%)
10101	Calibrated Absorption Burette (99 to 100%In 0.1%)	10102	Calibrated Absorption Burette (99 to 100%In 0.01%)
10100	Caustic Reservoir	10100	Caustic Reservoir
5005	Teflon Stopcock	5005	Teflon Stopcock
10107	Rubber Covered Band W/Nut (Fits #10101 Burette)	10108	Rubber Covered Band W/Nut (Fits #10102 Burette)
10109	Rubber Covered Band W/Nut (Fits #10100 Resette)	10109	Rubber Covered Band W/Nut (Fits #10100 Reservoir)
10110	Frame - 2Pc W/Center Block	10111	Frame - 2Pc W/Center Block and support block
10113	Metal Case	10113	Metal Case
10114	Plastic Connector	10114	Plastic Connector

For more information, please contact :

BQSL Japan Co., Ltd.

5-11-8-102 Okada, Atsugi-shi, Kanagawa, 243-0021 JAPAN

Tel / Fax: +81-46-230-0417

e-mail: mail@bqsl.co.jp ;bqslgz@126.com